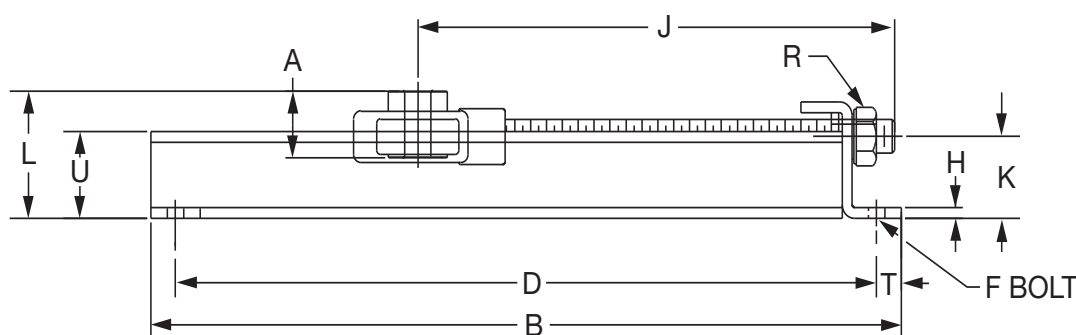
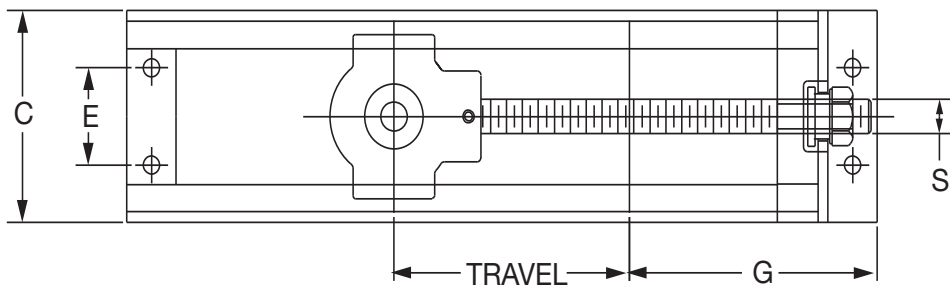




# SELECTION/DIMENSIONS

## Take-Up Frames -NS

### NARROW SLOT BALL BEARING TAKE-UP FRAMES



Frame Description	Part No.	Wt. (Lbs.)	A	B	C	D	E	F Base Bolt		G
								No.	Dia.	
NS-210x6-TUFR	<b>038109</b>	5.5	See page B19-10 for list of reference pages for Take-Up Bearings	13-5/8	3-13/16	12-1/8	1-5/8	4	1/2	4-7/8
NS-308x6-TUFR	<b>038110</b>	5.8		13-5/8	4-11/16	12-1/8	2-1/4	4	1/2	5-3/8
NS-308x12-TUFR	<b>038111</b>	8.0		19-5/8	18-1/8	2-1/4	4	1/2	6	
NS-400x6-TUFR	<b>038112</b>	9.2		14-9/16	13-1/16	2-1/2	4	1/2	6	
NS-400x9-TUFR	<b>038113</b>	11.3		18-5/8	6-1/16	17-1/8	2-1/2	4	1/2	6
NS-400x12-TUFR	<b>038114</b>	12.5		20-9/16	19-1/16	2-1/2	4	1/2	6	
NS-400x18-TUFR	<b>038115</b>	16.3		27-5/8	26-1/8	2-1/2	4	1/2	6	
NS-407x9-TUFR	<b>038116</b>	13.1		19-1/8	6-1/2	17-3/8	2-3/4	4	5/8	7-1/8
NS-407x18-TUFR	<b>038117</b>	18.6		28-1/8	26-3/8	2-3/4	4	5/8	7-1/8	
NS-415x9-TUFR	<b>038118</b>	15.5		19-1/8	7	17-3/8	3	4	5/8	7-3/8
NS-415x18-TUFR	<b>038119</b>	19.0	28-1/8	26-3/8	3	4	5/8	7-3/8		

Frame Description	H	J	K	L	R Hex	S	T	U	Channel
NS-210x6-TUFR	1/4	11-1/32	1-13/32	See Table on Page B19-9 for "L" Dim.	1-5/16	3/4-10	3/4	1-1/2	1-1/2 x 9/16 x 3/16
NS-308x6-TUFR	1/4	10-13/16	1-13/32		1-5/16	3/4-10	3/4	1-1/2	1-1/2 x 9/16 x 3/16
NS-308x12-TUFR		16-13/16	1-13/32		1-5/16	3/4-10	3/4	1-1/2	1-1/2 x 9/16 x 3/16
NS-400x6-TUFR	1/4	11-1/16	1-7/8		1-1/2	7/8-9	3/4	2	2 x 1 x 3/16
NS-400x9-TUFR		14-1/16			1-1/2	7/8-9	3/4	2	2 x 1 x 3/16
NS-400x12-TUFR		17-1/16			1-1/2	7/8-9	3/4	2	2 x 1 x 3/16
NS-400x18-TUFR		23-1/16			1-1/2	7/8-9	3/4	2	2 x 1 x 3/16
NS-407x9-TUFR	5/16	15-19/32	1-7/8		1-5/8	1-8	1	2	2 x 1 x 3/16
NS-407x18-TUFR	5/16	24-19/32	1-7/8		1-5/8	1-8	1	2	2 x 1 x 3/16
NS-415x9-TUFR	5/16	15-27/32	1-7/8		1-5/8	1-8	1	2	2 x 1 x 3/16
NS-415x18-TUFR		24-27/32		1-5/8	1-8	1	2	2 x 1 x 3/16	

FEATURES/BENEFITS PAGE B19-2	HOW TO ORDER/NOMENCLATURE PAGE B19-7	SELECTION/DIMENSIONS PAGE B19-8
---------------------------------	---	------------------------------------

B19-8

Eccentric Collar Ball Bearings

Set screw VSC Ball Bearing

Eccentric SXV Collar Ball Bearing

Take-Up Frames

Engineering

Part Number Index

Keyword Index



## SELECTION/DIMENSIONS

### Take-Up Frames - Narrow Slot Frame

#### L DIMENSION

Series	Shaft Size	Take Up Frame No. Ref.	L					
			SC	VSC	SXR	SXV	DL	GT
204	1/2 5/8 3/4	NS-210	2.11	2.11	2.43	2.30	2.16	2.40
205	7/8 15/16 1	NS-210	2.16	2.16	2.44	2.30	2.26	2.36
206	1-1/16 1-1/8 1-3/16 1-1/4	NS-308	2.32	2.32	2.57	2.43	2.36	2.97
207	1-1/4 1-5/16 1-3/8 1-7/16	NS-308	2.42	2.42	2.66	2.54	2.46	2.46
208	1-1/2 1-5/8	NS-400	3.03	3.03	3.21	3.12	3.10	3.07
209	1-5/8 1-11/16 1-3/4	NS-400	3.03	3.03	3.22	3.10	3.10	3.07
210	1-15/16 2	NS-400	3.03	3.03	3.34	3.10	3.10	3.07
211	2 2-3/16 2-1/4	NS-407	3.19	3.19	3.55	3.13	3.21	3.10
212	2-1/4 2-7/16	NS-415	3.26	N/A	3.68	N/A	3.32	3.23

Series	Shaft Size	Take Up Frame No. Ref.	L		
			SCM	DLM	GTM
206	1	NS-308	2.32	2.36	2.47
207	1-3/16 1-1/4	NS-308	2.42	2.46	2.46
208	1-7/16	NS-400	3.03	3.10	3.07
209	1-1/2 1-5/8	NS-400	3.03	3.10	3.07
210	1-11/16 1-3/4	NS-400	3.03	3.10	3.07
211	1-15/16 2	NS-407	3.19	3.21	3.10
212	2-3/16 2-1/4	NS-415	3.26	3.32	3.23

FEATURES/BENEFITS PAGE B19-2	HOW TO ORDER/NOMENCLATURE PAGE B19-7	SELECTION/DIMENSIONS PAGE B19-8
---------------------------------	---	------------------------------------



## SELECTION/DIMENSIONS

### Narrow Slot (NS) Take-Up Frame Bearings

#### NORMAL DUTY SETSCREW - SC, VSC

#### D-LOK - DL

#### ECCENTRIC LOCK - SXR, SXV

#### GRIP TIGHT - GT

Series	Shaft Size	Frame Size
204	1/2	NS-210
	5/8	
	3/4	
	20mm	
205	7/8	NS-210
	15/16	
	1 25mm	
206	1-1/16	NS-308
	1-1/8	
	1-3/16	
	1-1/4	
	30mm	
207	1-1/4	NS-308
	1-5/16	
	1-3/8	
	1-7/16 35mm	
208	1-1/2	NS-400
	1-5/8 40mm	
209	1-5/8	NS-400
	1-11/16	
	1-3/4 45mm	
210	1-15/16	NS-400
	2 50mm	
211	2	NS-407
	2-3/16	
	2-1/4 55mm	
212	2-1/4	NS-415
	2-7/16 60mm	

- Narrow Slot Take-Up Frames Are Not Supplied With Bearings. First Match The Take-Up Frame With The Bearing Size From This Page. Then Turn To The Page Listed For The Specific Bearing Part Number.
- Grip Tight (GT and GTM) - B5-50 to B5-53
- Setscrew (SC, SCM & VSC) - B4-68 to B4-71
- Eccentric Lock (SXR and SXV) - B7-32 to B7-33
- D-LOK (DL and DLM) - B6-42 to B6-45
- See B19-8 For Narrow Slot Take-Up Frame Travel Options And Part Numbers

#### MEDIUM DUTY SETSCREW - SCM D-LOK - DLM GRIP TIGHT - GTM

Series	Shaft Size	Frame Size
206	1	NS-308
	25mm	
207	1-3/16	NS-308
	1-1/4 30mm	
208	1-7/16	NS-400
	35mm	
209	1-1/2	NS-400
	40mm	
210	1-11/16	NS-400
	1-3/4 45mm	
211	1-15/16	NS-407
	2 50mm	
212	2-3/16	NS-415
	2-1/4 55mm	

FEATURES/BENEFITS  
PAGE B19-2

HOW TO ORDER/NOMENCLATURE  
PAGE B19-7

SELECTION/DIMENSIONS  
PAGE B19-8